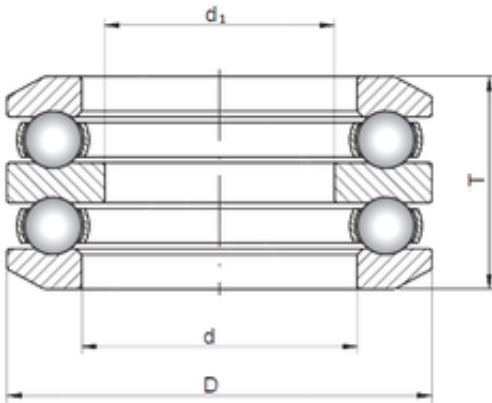




ISO 54313 thrust ball bearings



Bearing No. 54313

Size	67x115x71.8 mm
Bore Diameter	67 mm
Outer Diameter	115 mm
Width	71,8 mm
d	67 mm
d1	55 mm
D	115 mm
T	71,8 mm

54313 Bearing 2D drawings and 3D CAD models