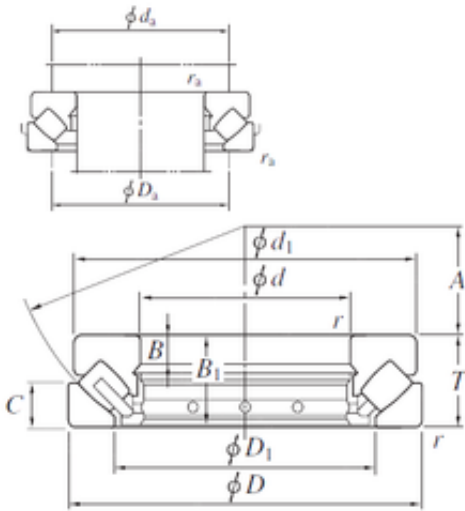




# JOD Machinery Co., Ltd.

## 220 mm x 420 mm x 43 mm KOYO 29444R thrust roller bearings

Bearing No. 29444R



29444R Bearing 2D drawings and 3D CAD models

Size	220x420x122 mm
Bore Diameter	220 mm
Outer Diameter	420 mm
Width	122 mm
d	220 mm
D	420 mm
T	122 mm
d1	400 mm
r min.	6 mm
A	132 mm
B	43 mm
B1	117 mm
C	58 mm
D1	308 mm
da min.	310 mm
Da max.	355 mm
ra max.	5 mm
Weight	742 Kg
Basic dynamic load rating (C)	2540 kN
Bearing No.	29444R
r(min)	6
Ca	3160
Coa	8990
Oil lub.	750
da(min)	310



## JOD Machinery Co., Ltd.

Da(max)	355
ra(max)	5
(Refer.)Mass(kg)	74.2