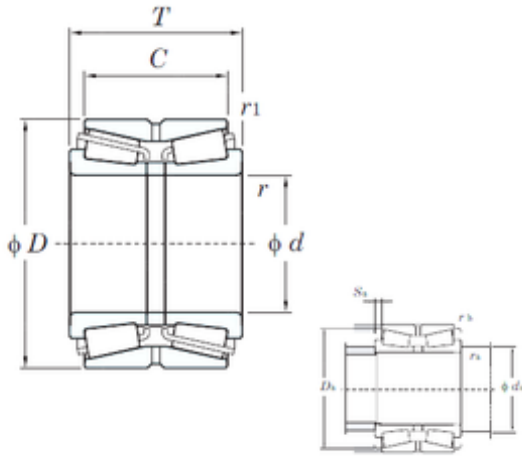




# JOD Machinery Co., Ltd.



## KOYO 46276A tapered roller bearings

Bearing No. 46276A

Size	380x560x171 mm
Bore Diameter	380 mm
Outer Diameter	560 mm
Width	171 mm
d	380 mm
D	560 mm
T	171 mm
C	135 mm
r min.	6 mm
r1 min.	2 mm
da min.	408 mm
Da min	531 mm
ra max.	5 mm
rb max.	2 mm
Weight	129 Kg
Basic dynamic load rating (C)	2240 kN
Basic static load rating (C0)	4670 kN
(Grease) Lubrication Speed	380 r/min
(Oil) Lubrication Speed	500 r/min
Calculation factor (e)	0,39
Calculation factor (Y0)	1,7
Bearing No.	46276A
r(min)	6
r1(min)	2
Cr	2810
C0r	4670

46276A Bearing 2D drawings and 3D CAD models



## JOD Machinery Co., Ltd.

Cu	228
Grease lub.	380
Oil lub.	500
da(min)	408
Da(min)	550
Sa(min)	18
ra(max)	5
rb(max)	2
e	0.39
Y2	1.74
Y3	2.59
Y0	1.70
(Refer.)Mass(kg)	129