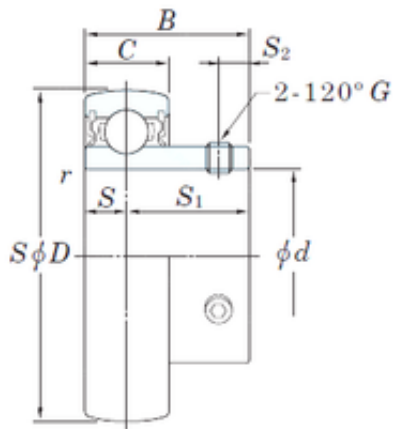




# JOD Machinery Co., Ltd.



## 101,6 mm x 190 mm x 117,5 mm KOYO UCX20-64 deep groove ball bearings

Bearing No. UCX20-64

UCX20-64 Bearing 2D drawings and 3D CAD models

Size	101.6x190x117.5 mm
Bore Diameter	101,6 mm
Outer Diameter	190 mm
Width	117,5 mm
d	101,6 mm
D	190 mm
B	117,5 mm
C	43 mm
S1	68,3 mm
r min.	2,1 mm
S	49,2 mm
S2	18 mm
Thread (G) - 5/8-18UNF	5/818UNF
Weight	8,33 Kg
Basic dynamic load rating (C)	133 kN
Basic static load rating (C0)	105 kN
Category	Bearings
Inventory	0.0
Manufacturer Name	KOYO
Minimum Buy Quantity	N/A
Weight / Kilogram	0
Product Group	M06110