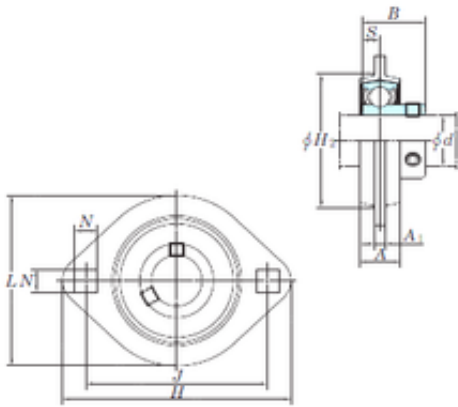




JOD Machinery Co., Ltd.

KOYO SBPFL207 bearing units



Bearing No. SBPFL207

Bore Diameter	35 mm
Width	32 mm
d	35 mm
A	22 mm
A1	5,2 mm
B	32 mm
H	122 mm
H2	81 mm
J	100 mm
L	94 mm
N	11 mm
S	8,5 mm
Bolt (G)	M10
Weight	0,66 Kg
Basic dynamic load rating (C)	25,7 kN
Basic static load rating (C0)	15,4 kN
Bearing No.	SBPFL207
Bolt size	M10
Cr	25.7
C0r	15.4
f0	13.9
H1	-
(Refer.)Unit mass(kg)	0.66

SBPFL207 Bearing 2D drawings and 3D CAD models