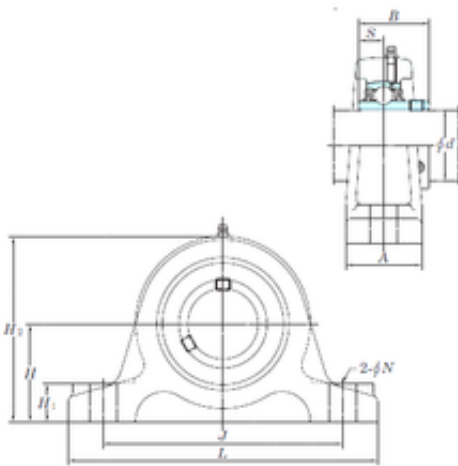




KOYO UCIP211 bearing units

Bearing No. UCIP211



UCIP211 Bearing 2D drawings and 3D CAD models

Bore Diameter	55 mm
Width	55,6 mm
d	55 mm
A	60 mm
B	55,6 mm
H	80 mm
H1	28 mm
H2	148 mm
J	180 mm
L	230 mm
N	19 mm
S	22,2 mm
Bolt (G)	M16
Weight	5,3 Kg
Basic dynamic load rating (C)	43,4 kN
Basic static load rating (C0)	29,4 kN
Bearing No.	UCIP211
Bolt size	M16
Cr	43.4
C0r	29.4
f0	14.4
(Refer.) Unit mass(kg)	5.3
Nipple size	R1/8