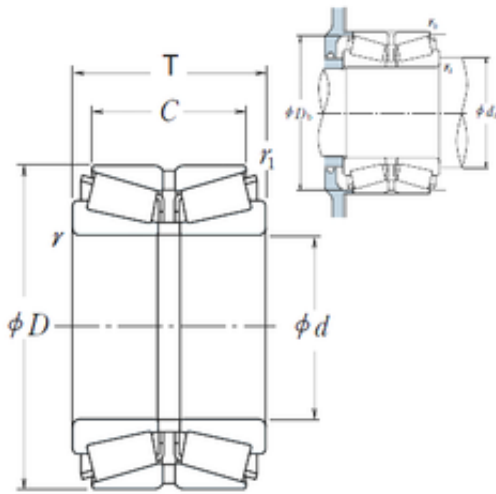




NSK HR70KBE52X+L tapered roller bearings



Bearing No. HR70KBE52X+L

HR70KBE52X+L Bearing 2D drawings and 3D CAD models

Size	70x125x74 mm
Bore Diameter	70 mm
Outer Diameter	125 mm
Width	74 mm
d	70 mm
D	125 mm
T	74 mm
C	61,5 mm
r min.	2 mm
r1 min.	0,6 mm
da min.	82 mm
Db min.	121 mm
ra max.	2 mm
rb max.	0,6 mm
Weight	3,58 Kg
Basic dynamic load rating (C)	270 kN
Basic static load rating (C0)	410 kN
(Grease) Lubrication Speed	2300 r/min
(Oil) Lubrication Speed	3100 r/min
Calculation factor (e)	0,42
Calculation factor (Y0)	1,6
Calculation factor (Y2)	2,4