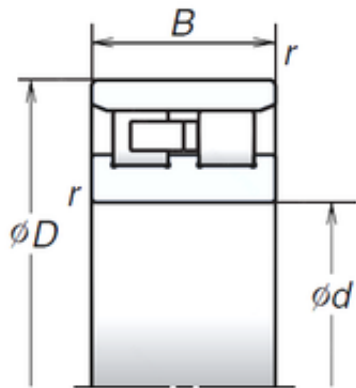




JOD Machinery Co., Ltd.

120 mm x 180 mm x 46 mm NSK NN3024TB cylindrical roller bearings



*Cylindrical Bore

Bearing No. NN3024TB

Size	120x165x46 mm
Bore Diameter	120 mm
Outer Diameter	165 mm
Width	46 mm
d	120 mm
D	180 mm
E	165 mm
B	46 mm
C	46 mm
r min.	2 mm
Weight	3,75 Kg
Basic dynamic load rating (C)	233 kN
Basic static load rating (C0)	390 kN
(Grease) Lubrication Speed	5 700 r/min

NN3024TB Bearing 2D drawings and 3D CAD models