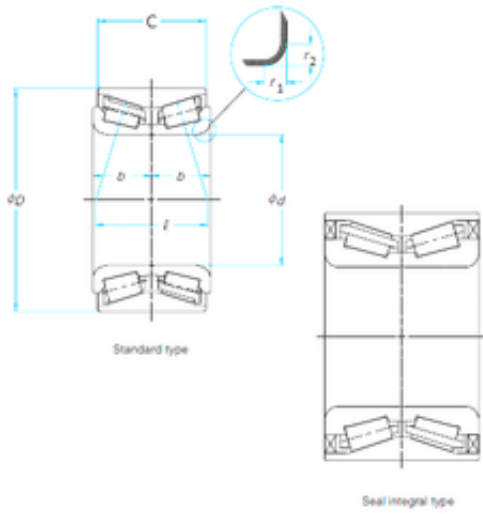




JOD Machinery Co., Ltd.



38 mm x 76 mm x 43 mm NSK
HO/38KWD04AG3CA1-01 tapered roller
bearings

Bearing No. HO/38KWD04AG3CA1-01

Size	38x76x43 mm
Bore Diameter	38 mm
Outer Diameter	76 mm
Width	43 mm
d	38 mm
D	76 mm
B	43 mm
C	40 mm

HO/38KWD04AG3CA1-01 Bearing 2D drawings and
3D CAD models