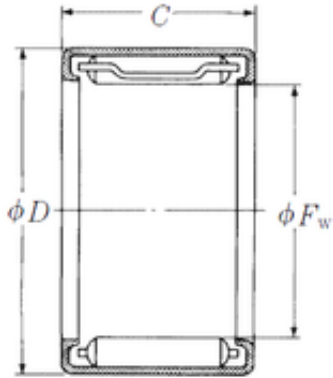




**NSK FJL-810 needle roller bearings**



Bearing No. FJL-810

Size	8x15x10 mm
Bore Diameter	8 mm
Outer Diameter	15 mm
Width	10 mm
Fw	8 mm
D	15 mm
C	10 mm
Weight	0,006 Kg
Basic dynamic load rating (C)	4,4 kN

FJL-810 Bearing 2D drawings and 3D CAD models