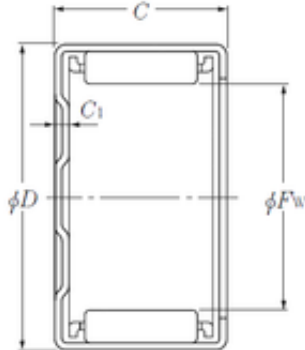




NTN BK2516 needle roller bearings



Bearing No. BK2516

BK2516 Bearing 2D drawings and 3D CAD models

Size	25x32x16 mm
Bore Diameter	25 mm
Outer Diameter	32 mm
Width	16 mm
Fw	25 mm
D	32 mm
C	16 mm
C1	2,7 mm
Weight	0,031 Kg
Basic dynamic load rating (C)	15,9 kN
Basic static load rating (C0)	24 kN
(Grease) Lubrication Speed	6 500 r/min
Dw	2.5 mm
Lw	11.3 mm
Lubrication hole on outer ring	Non/No
Inner ring reference	IR20X25X17
Mass	0.03 kg
Cr	15.9 kN
C0r	24 kN
Nlim (grease)	6,500 rpm
Nlim (oil)	9,500 rpm
Min operating temperature, Tmin	-20 ° C
Max operating temperature, Tmax	120 ° C



JOD Machinery Co., Ltd.

Characteristic cage frequency, FTF	0.46 Hz
Characteristic rolling element frequency, BSF	10.91 Hz
Characteristic outer ring frequency, BPF0	10 Hz
Characteristic inner ring frequency, BRFI	12 Hz
Category	Bearings
Inventory	0.0
Manufacturer Name	NTN
Minimum Buy Quantity	N/A
Weight / Kilogram	0.036
Product Group	B04144